

Small capacity air pump

HP-20



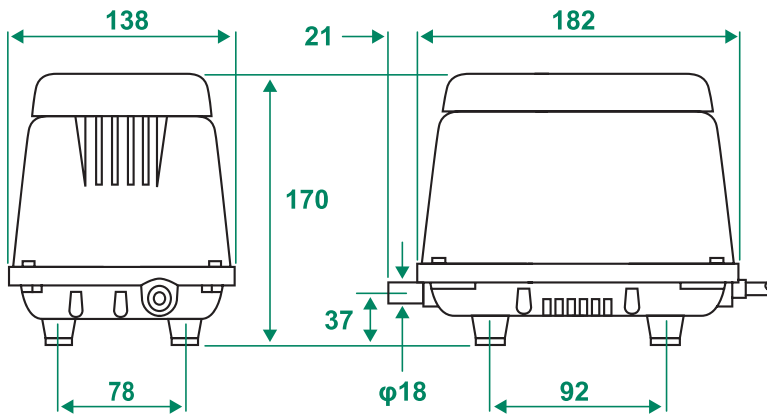
Pressure type

Outdoor (Rainproof) use

Applications

- Septic tank (biological contact aeration)
- Bubble bath (air bubble injection)
- Oxygen supply for fish breeding

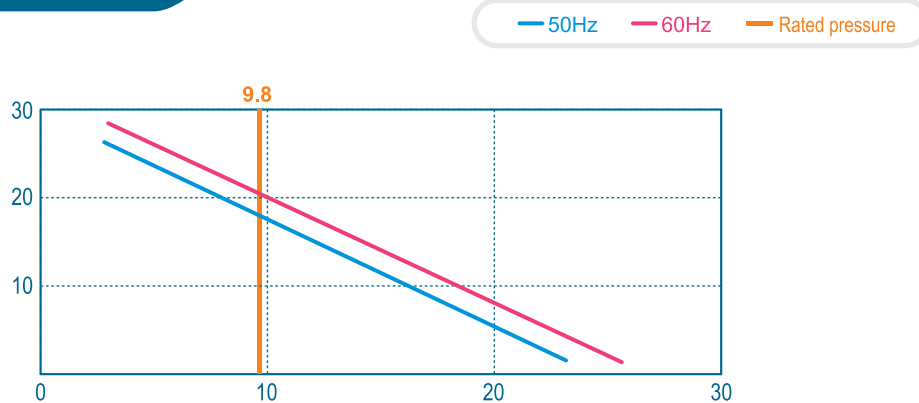
Dimensions



Specifications

		HP-20	
Rated voltage	V	AC120 / 230	
Power frequency	Hz	50	60
Rated pressure	kPa	9.8	
Airflow volume	L/min	18	20
Power consumption	W	17	
Sound level	dBA	31	
Weight	kg	3.2	

Performance Curve



* All characteristics values are only for reference, and are not guaranteed values.
 * Note that the operating temperature for our pumps is 41°F(5°C) to 104°F(40°C).